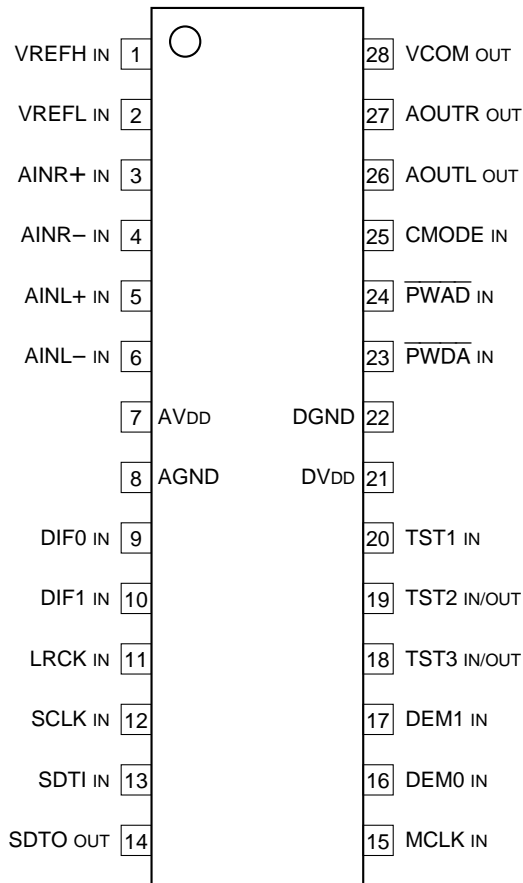


C-MOS STEREO A/D, D/A CONVERTER
—TOP VIEW—



INPUT

- AINL+ : CHANNEL L ANALOG POSITIVE INPUT
- AINL- : CHANNEL L ANALOG NEGATIVE INPUT
- AINR+ : CHANNEL R ANALOG POSITIVE INPUT
- AINR- : CHANNEL R ANALOG NEGATIVE INPUT
- DIF0, DIF1 : DE-EMPHASIS FREQUENCY SELECT
- LRCK : INPUT/OUTPUT CHANNEL CLOCK
- MCLK : MASTER CLOCK
- PWAD : ADC POWER DOWN MODE
- PWDA : DAC POWER DOWN MODE
- SCLK : AUDIO SERIAL DATA CLOCK
- SDTI : AUDIO SERIAL DATA
- TEST1 : TEST
- VREFH : POSITIVE VOLTAGE REFERENCE
- VREFL : NEGATIVE VOLTAGE REFERENCE

OUTPUT

- AOUTL : CHANNEL L ANALOG OUTPUT
- AOUTR : CHANNEL R ANALOG OUTPUT
- SDTO : SERIAL DATA

INPUT/OUTPUT

- TEST2, TEST3 : TEST

